

- Ⓞ **GB Owners Manual**
- Ⓞ **D Gebrauchsanweisung**
- Ⓞ **F Manuel du Propriétaire**
- Ⓞ **SP Manual del Proprietario**
- Ⓞ **NL Handleiding**
- Ⓞ **I Manuale Istruzioni**

MODEL 50, 60

Petrol Lawnmower

Motor-Rasenmäher

Tondeuse à Gazon à Essence

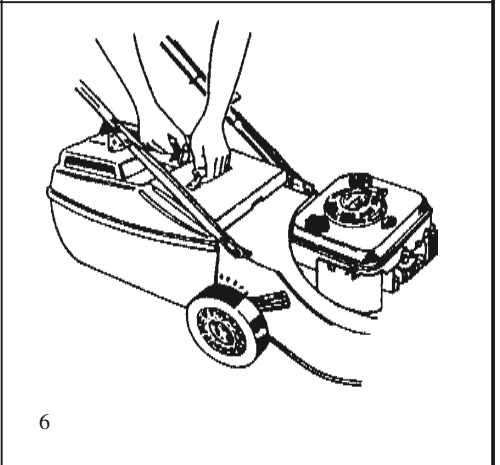
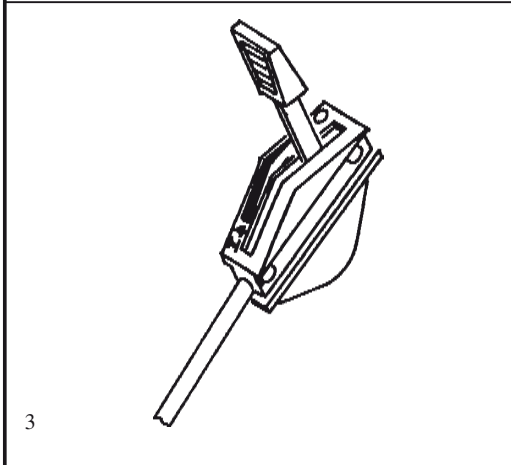
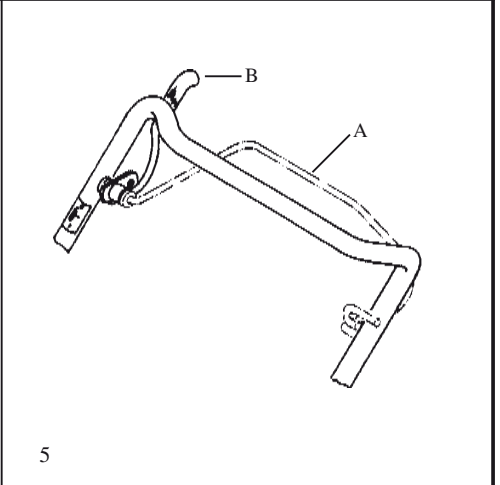
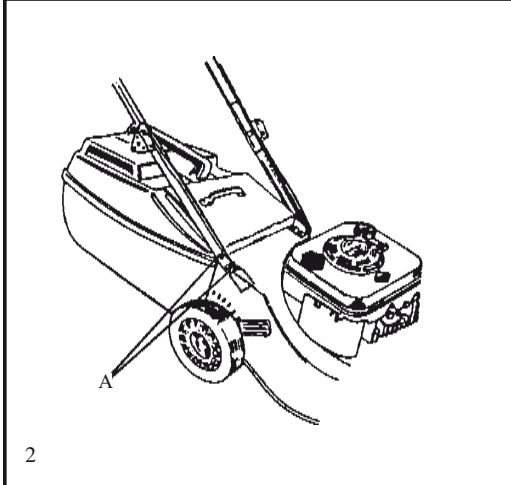
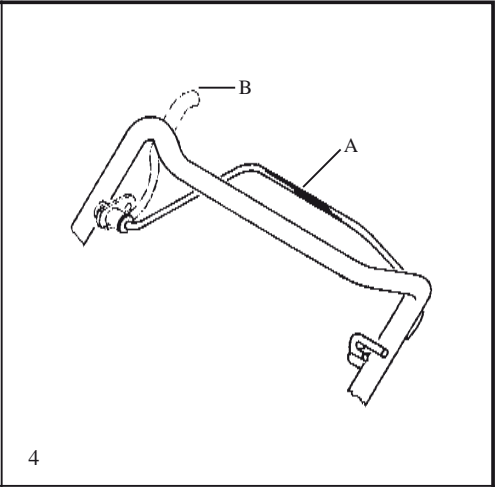
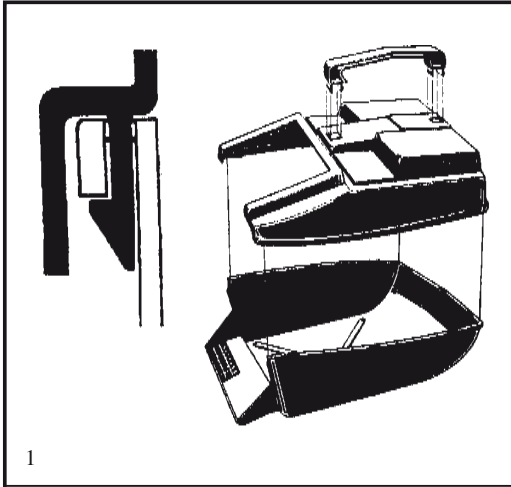
Cortadoras de Césped a Gasolina

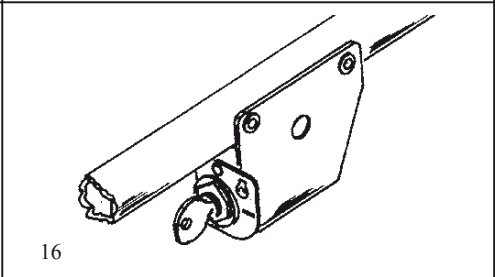
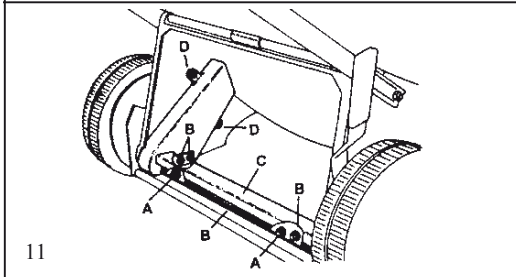
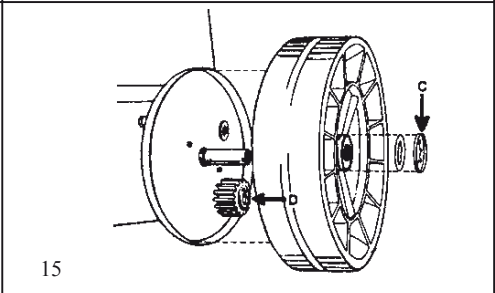
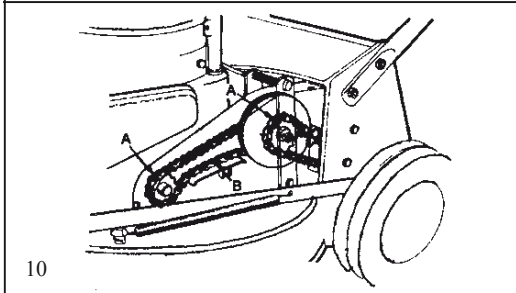
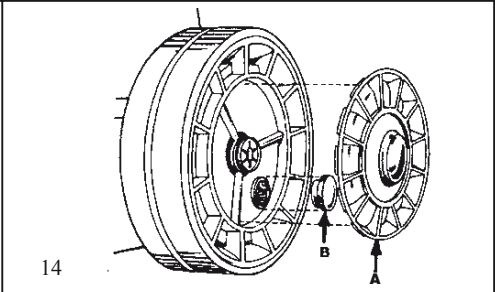
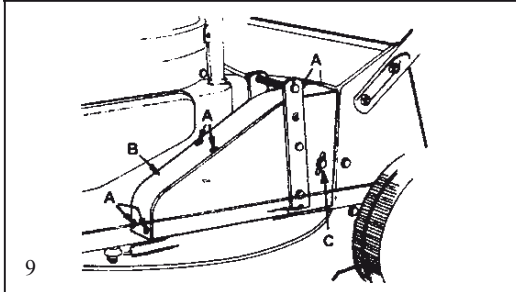
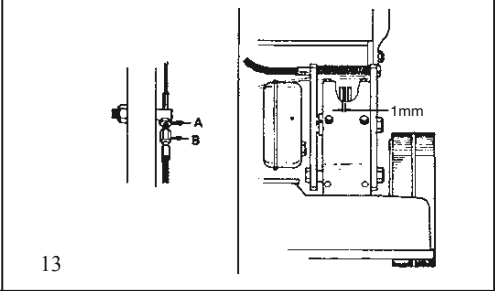
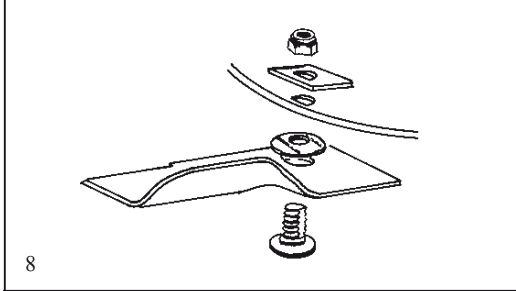
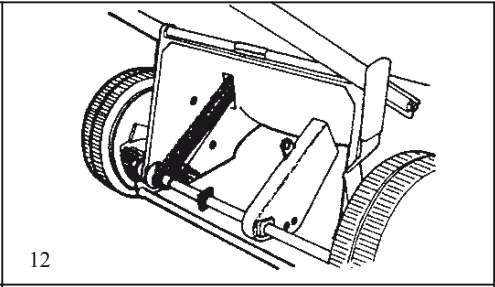
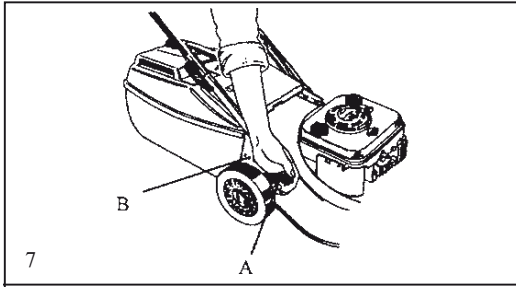
Benzine Grasmaaimachine

Falciatrice A Motore



*GREAT START
GREAT FINISH*





Thank you for buying a Rover Product. All Rover Lawn mowers are designed and constructed to give optimum grass cutting performance under normal grass cutting conditions.

This manual covers the operation and maintenance of the Rover walk behind mower. Please read and understand this owners manual, before using the mower.

If any point is unclear, contact Rover Mowers Limited or any authorised Rover Mower service dealer.

Rover Mowers Limited reserves the right to make changes of, and add improvements upon, its product at anytime, without notice or obligation. The Company also reserves the right to discontinue manufacture of any product at its discretion at any time.

To emphasise special information, the words WARNING and CAUTION are used.

WARNING
The safety of the user and others involved. Personal Injury may result should this information be disregarded.

CAUTION
Follow these instructions to avoid mower damage and possible loss of warranty

CONTENTS	PAGE
Preface	iii
Safety Instructions	iv
1. Setting up	1
1.1 Grass catcher assembly	1
2. Before operating	1
2.1 Folding handles	1
2.2 Handle bar height	1
2.3 Engine lubrication	1
2.4 Fuel	1
2.5 Controls	1
3. Operation	1
3.1 Grass catcher	1
3.2 Adjusting the height of cut	1
3.3 To start the engine	1
3.4 To stop the engine	1
3.5 Self propelled mowers	1
3.6 Blade brake control	1
4. Maintenance - General	2
4.1 Engine air cleaner	2
4.2 Snorkel air cleaner	2
4.3 Spark Plug	2
4.4 Cutting assembly	2
4.5 Blade change	2
4.6 Throttle control	2
5. Maintenance - self propelled mowers	2
5.1 Drive chain lubrication	2
5.2 Drive chain adjustment	2
5.3 Rear drive chain inspection	3
5.4 Clutch adjustment	3
5.5 Clutch lining inspection	3
5.6 Drive pawl lubrication	3
5.7 Drive Wheel Cleaning	3

6. Maintenance powerstart mowers	3
6.1 Battery removal	3
6.2 Battery installation	3
6.3 Battery charging	3
6.4 Care and handling	3
7. Spare parts	6
7.1 Series 85000, 86000, 96000 base	6
7.2 Series 85000, 86000, 96000 bars	7
7.3 Self-propelled	8
7.4 Powerstart	9

ILLUSTRATIONS **PAGE**

Figure 1. Grass catcher assembly	i
Figure 2. Handle bar height adjustment	i
Figure 3. Throttle control markings	i
Figure 4. Operator presence control	i
Figure 5. Self propelled drive control	i
Figure 6. Grass catcher fitment	i
Figure 7. Height adjustment	ii
Figure 8. Blade bolt assembly	ii
Figure 9. Drive chain cover plate	ii
Figure 10. Drive chain	ii
Figure 11. Drive shaft cover	ii
Figure 12. Stone cover	ii
Figure 13. Clutch adjustment	ii
Figure 14. Drive wheel	ii
Figure 15. Drive pinion	ii
Figure 16. Powerstart control	ii

Safety Instructions

1. Training

- a. Read the instructions carefully. Be familiar with the controls and the proper use of the equipment.
- b. Never allow children or people unfamiliar with these instructions to use the mower. Local regulations may restrict the age of the operator.
- c. Never mow while people, especially children, or pets are nearby.
- d. Keep in mind that the operator or user is responsible for accidents or hazards occurring to other people or their property.

2. Preparation

- a. While mowing, always wear substantial footwear and long trousers.
Do not operate the equipment when barefoot or wearing open sandals.
- b. Thoroughly inspect the area where the equipment is to be used and remove all stones, sticks, wires, bones and other foreign objects.
- c. **WARNING- Petrol is highly flammable.**
Take the following precautions.
 - i. Store fuel in containers specially designed for this purpose.
 - ii. Refuel outdoors only and do not smoke while refuelling.
 - iii. Add fuel before starting the engine. Never remove the cap of the fuel tank or add petrol while the engine is running or when the engine is hot.
 - iv. If petrol is spilled, do not attempt to start the engine but move the machine away from the area of spillage and avoid creating any source of ignition until petrol vapours have dissipated.
 - v. For reasons of safety the petrol tank and tank cap lock must be replaced if damaged.
- d. Replace faulty silencers.
- e. Before using, always visually inspect to see that the blades, blade bolts and cutter assembly are not worn or damaged. Replace worn or damaged blades in sets to preserve balance.
- f. On multibladed machines, take care as rotating one blade can cause other blades to rotate.

3. Operation

- a. Do not operate the engine in a confined space where dangerous carbon monoxide fumes can collect.
- b. Mow only in daylight or in good artificial light.
- c. Avoid operating the equipment in wet grass, where feasible.
- d. Always be sure of your footing on slopes.
- e. Walk, never run.
- f. For wheeled rotary machines, mow across the face of slopes, never up and down.
- g. Exercise extreme caution when changing direction on slopes.

- h. Do not mow excessively steep slopes.
- i. Use extreme caution when reversing or pulling the mower towards you.
- j. Stop the blade(s) if the mower has to be tilted for transportation when crossing surfaces other than grass and when transporting the mower to and from the area to be mowed.
- k. Never operate the mower with defective guards or shields, or without safety devices, for example deflectors and/or grass catchers in place.
- l. Do not change the engine governor settings or overspeed the engine.
- m. Disengage all blade and drive clutches before starting the engine.
- n. Start the engine or switch on the mower carefully according to instructions and with feet well away from the blade(s).
- o. Do not tilt when starting the engine or switching on the motor, unless the mower has to be tilted for starting. In this case, do not tilt it more than absolutely necessary and lift only the part which is away from the operator.
- p. Do not start the engine when standing in front of the discharge chute.
- q. Do not put hands or feet near or under rotating parts. Keep clear of the discharge opening at all times.
- r. Never pick up or carry a mower while the engine is running.
- s. Stop the engine and disconnect the spark plug lead:
 - i. Before clearing blockages or unclogging the chute.
 - ii. Before checking, cleaning or working on the mower.
 - iii. After striking a foreign object. Inspect the mower for damage and make repairs before restarting and operating the mower.
 - iv. If the mower starts to vibrate abnormally check immediately.
- t. Stop the engine
 - i. Whenever you leave the mower.
 - ii. Before refuelling.
- u. Reduce the throttle setting during engine run-out and if the engine is provided with a shut-off valve, turn off the fuel at the conclusion of mowing.

4. Maintenance and storage.

- a. Keep all nuts, bolts, and screws tight to be sure the equipment is in safe working condition.
- b. Never store the equipment with petrol in the tank inside a building where fumes may reach an open flame or spark.
- c. Allow the engine to cool before storing in any enclosure.
- d. To reduce the fire hazard, keep the engine, silencer, battery compartment and petrol storage area free of grass, leaves, or excessive grease.
- e. Check the grass catcher frequently for wear or deterioration.
- f. Replace worn or damaged parts for safety.
- g. If the fuel tank has to be drained, do this outdoors.

1.1 Grass catcher assembly

1. Locate the catcher handle and align its front lugs with the slots in the top of the catcher and press firmly into position. Figure 1.
2. Position the catcher top over the catcher bottom, aligning the barbs on the top with the slots in the bottom. Figure 1.

3. Press firmly down on the catcher top to lock the barbs into slots. Figure 1.
4. Secure with two screws provided.

2. BEFORE OPERATING

2.1 Folding handles

1. **Locking knobs-**By turning these knobs the handle bars can be either locked in the operating position or folded for storage.
2. **Locking lever-** Lift the lever to release the handle bars for folding or push the lever closed to lock handle bars in the operating position. Adjust the tension by turning the lock nut with a 1/2" AF spanner.

2.2 Handle bar height

1. Loosen the two nuts (A) at the base of the handle bars on both sides of the mower using a 1/2" AF spanner. Figure 2.
2. Move the handle bars to the required position and tighten the handle bars nuts.

2.3 Engine lubrication

The engine oil level must be checked before attempting to start the engine. Refer to the engine manufacturer's instructions.

1. Position the mower on a level surface and clean around the dip stick or oil plug.
2. Remove the dip stick or oil plug.
3. Using a clean funnel slowly add oil in accordance with the engine manufacturer's instructions.
4. Check the oil level by screwing in the dip stick or oil plug and removing again. When oil level is correct replace the dip stick.

CAUTION

Avoid premature engine failure by using a clean funnel and clean away any possible contaminants.

2.4 Fuel

1. Position the mower on a level surface in a well ventilated area and clean around the fuel tank cap.
2. Using a clean funnel fill the fuel tank with unleaded petrol.
3. Replace the fuel tank cap and clean away any spilt petrol.

2.5 Controls

Throttle Control

Marked for O (off)  (slow)  (fast) positions. Figure 3.

Operator Presence Control

Handle moved towards the handle bars (I). Engine and blades are free to rotate. Handle released (0) engine and blades stop rotating. Figure 4.

Self Propelled Drive Control

Moved towards 1 (on) turns the clutch on and drives the mower forward. Moved towards O (off) turns the clutch off and stops the mower driving. Figure 5.

Powerstart

Turn the key to on (I) position to engage the electric starter. release the key when the engine starts and allow to return to the off (0) position. Figure 16.

3. OPERATION

3.1 Grass catcher

Installing the grass catcher

1. Raise the rear flap of the mower.
2. Grasp the grass catcher by the top handle and position the grass catcher against the rear of the mower. Figure 6.
3. Lower the rear flap so that the back edge of the flap hooks over the grass catcher.

Removing the grass catcher

1. Grasp the grass catcher top handle and lift up.
2. Raise the rear flap of the mower to release grass catcher.
3. Lift the grass catcher clear of the mower and lower the rear flap.

3.2 Adjusting the height of cut

1. Grasp the height of cut lever (A) and apply an outward pressure to release the lever from the rack (B). Figure 7.
2. Move the lever while holding out to the required height of cut position and engage the lever in the rack by releasing the lever.

3.3 To start the engine

1. Move the Throttle Control lever to the fast position.
2. Press the primer bulb firmly 5 times.
3. Grasp the 'Operator presence control handle' and hold against the handle bars. Refer engine manufacturers instructions. Fig. 4.
4. Grasp the starter handle and pull, or turn the ignition key on Powerstart mowers.
5. After engine starts, move the Throttle Control to the slow position.

CAUTION

With powerstart mowers if the engine fails to start after 3 seconds of continuous cranking release the ignition key and wait 10 seconds before trying to restart the engine. If the engine still fails to start check the fuel level, battery connections, and battery condition. If the engine is cranking slowly the battery may need charging, refer to section 6.3 for battery charging.

3.4 To stop the engine

1. Move the throttle control lever to the stop position. O
2. Release the "Operator presence control handle".
3. Turn the fuel tap off where fitted.
4. Remove the ignition key on Powerstart mowers.

3.5 Drive engagement - Self propelled mowers

1. Start the engine and set the engine speed to the required grass cutting speed.
2. Push forward on the clutch engagement lever to engage the self-propelled drive to the rear wheels. Fig. 5.
3. To disengage the self-propelled drive release the engagement lever and allow it to return to the disengaged position.

CAUTION

Do not hold the engagement lever in a semi-engaged position to slip the clutch as this will lead to excessive clutch wear.

3.6 Blade Brake Control

The mower engine is fitted with a blade brake system. When the "Operator Presence Control" is held against the handle bars the brake is off (0). When the Operator presence control is released the blade brake is on (I).

4.1 Engine air cleaner

Refer to the engine manufacturer's instructions for detailed cleaning instructions.

The engine air cleaner element must be serviced after each 25 hours of normal mowing. The element must be serviced more regularly if the mower is used in dusty conditions.

4.2 Snorkel air intake

The snorkel air cleaner element must be serviced after each 50 hours of normal mowing. The element must be serviced more regularly if the mower is used in dusty conditions.

1. Disconnect the air tube from the element holder.
2. Remove the holder cap.
3. Remove the cartridge and tap gently on a flat surface to remove dirt.
4. Replace element in holder and replace holder cap.
5. Replace the air tube to the bottom of the element holder.

NOTE: Quantum engines fitted with a Remote snorkel air intake are not fitted with an air cleaner element. Note the air cleaner element on this model is located on the engine.

CAUTION
Do not allow dirt to enter the air tube, engine damage may occur. Check the condition of the air tube regularly and replace if damaged.

4.3 Spark plug

For best results remove and check the condition of the spark plug every 25 hours of use.

1. Stop the engine and remove the spark plug lead.
2. Clean dirt from around the spark plug and remove the spark plug.
3. If a new spark plug is required use a Champion RJ19LM or equivalent and set the electrode gap at 0.7 to 0.8 mm.
4. Screw the spark plug into the engine and tighten to 20NM.

5.1 Drive chain lubrication

1. Remove the spark plug lead.
2. Remove the cover plate screws (a) and lift off the cover plate (b). Figure 9.
3. Support the rear wheels off the ground to enable the drive to be rotated.
4. Use SAE 30 oil and lubricate the drive chains at point (a) whilst the chain is being rotated. Figure 10.
5. Replace the chain cover plate and secure.
6. Replace the spark plug lead.

5.2 Drive chain adjustment

Front drive chain

1. Remove the spark plug lead.
2. Remove the cover plate.
3. Loosen the chain tensioner bolt (b) and move the chain tensioner to give a 3 mm deflection on the drive chain. Figure 10.
4. Tighten the chain tensioner bolt and rotate the drive wheels to check the drive chain for tight spots.
5. Replace the cover plate.

Rear drive chain

1. Remove the spark plug lead.
2. Loosen the rear drive chain tension nut (c) and slide it upwards to tighten the rear drive chain. Figure 9.
3. Retighten the rear drive chain tensioner nut and rotate the rear drive wheels to check for tight spots.
4. Replace the spark plug lead.

CAUTION
Do not over tighten the spark plug as engine damage may occur.

4.4 Cutting assembly

1. Disconnect the spark plug lead.
2. Move the height of cut lever to the high cut position, and fold the handle bars.
3. Tilt the mower so that the spark plug is up.
4. Inspect the cutting assembly for damage and wear.
5. Check the disc retaining bolts. Tighten the centre bolt to 48 Nm and the three concentric bolts to 14 Nm.
6. Return mower to its normal position and replace the spark plug lead.

WARNING
Remove the spark plug lead before working on cutting assembly. Do not work on the cutting assembly without wearing gloves.

4.5 Blade change

1. Disconnect the spark plug lead.
2. Set the mower to the high cut position.
3. Lift the rear flap on rear catcher mowers and prop open the flap to give access to the blades. Tilt utility mowers so that the spark plug is up.
4. Remove the blade, blade retaining bolts, nuts and washers and discard. Retain only the 'D' plates.
5. Fit new blades, blade bolts, washers, and nuts in sets to maintain balance. Figure 8.
6. Tighten the blade nuts to 16 NM. Check the blades are free to move when the blade nut is tensioned.
7. Remove the flap prop or lower the mower to the ground and replace the spark plug lead.

4.6 Throttle control

Each 25 hours of mowing use a small amount of light oil to lubricate the throttle control lever.

5. MAINTENANCE - Self propelled mowers

5.3 Rear drive chain inspection

1. Remove the spark plug lead.
2. Remove the drive shaft cover plate retaining screws (a) and remove cover plate (b). Figure 11.
3. Remove the stone guard retaining screws (c) and remove the stone guard. Figure 11.
4. Remove the chain guard nuts (d) and slide the chain guard out of the way. Figure 12.
5. Inspect the drive chain and axle sprocket and replace if found to have excessive wear.
6. Replace the stone guard and drive shaft axle plate.
7. Replace the spark plug lead.

5.4 Clutch adjustment

1. Remove the spark plug lead.
2. Loosen the locknut (a) and turn the adjuster (b) clockwise until the clutch is felt to drag. Figure 13.
3. Back off the adjuster anti-clockwise 2-3 turns and retighten locknut (a).
4. Replace the spark plug lead.

5.5 Clutch lining inspection

1. Remove the spark plug lead.
2. Remove the cover plate as explained in section 5.1 "Drive chain lubrication".
3. Check the thickness of the friction material. Figure 13. If thickness of the friction material is less than 1mm the clutch plate should be replaced by an authorised Rover Mowers Limited Dealer.

5.6 Drive pawl lubrication

1. Remove the spark plug lead.
2. Support the rear wheels off the ground.
3. Remove the rear drive wheel cap (a) and the wheel plug (b). Figure 14.
4. Rotate the drive wheel to align the drive pinion with the wheel plug hole.

5. Lubricate the slot at the centre of the drive pinion (d). Figure 15.
6. Replace the wheel plug and wheel cap.
7. Replace the spark plug lead.

5.7 Drive wheel cleaning

1. Remove the spark plug lead.
2. Support the rear wheels off the ground and remove the wheel cap.
3. Remove the ratchet plate (c) retaining the wheel to the axle. Figure 15.
4. Remove the wheel from the axle and clean the inside of the wheel hub.
5. Replace the wheel and retain using a new ratchet plate.
6. Replace the wheel plug and wheel cap.
7. Replace the spark plug lead.

6. MAINTENANCE - Powerstart Mowers

6.1 Battery removal

1. Remove the two retaining screws from each side of the battery support box and remove the front cover.
2. Remove the battery from the support box and simultaneously disconnect the wiring loom from the battery terminals.

6.2 Battery installation

1. Connect the mower wiring loom to the battery with the red lead attached to the positive (+) terminal of the battery and the black lead to the negative (-) terminal of the battery.
2. Fit the two rubber blocks to each end of the battery and place the battery complete with the rubber blocks into the battery support box with the battery terminals closest to the centre of the mower.
3. Refit the battery support box front cover and retain with the two screws.

6.3 Battery charging

A new battery when supplied with the mower may not be fully charged to maximum capacity. The battery should have an initial charging period of 10 to 16 hours. To charge the battery it must be removed from the mower first.

CAUTION

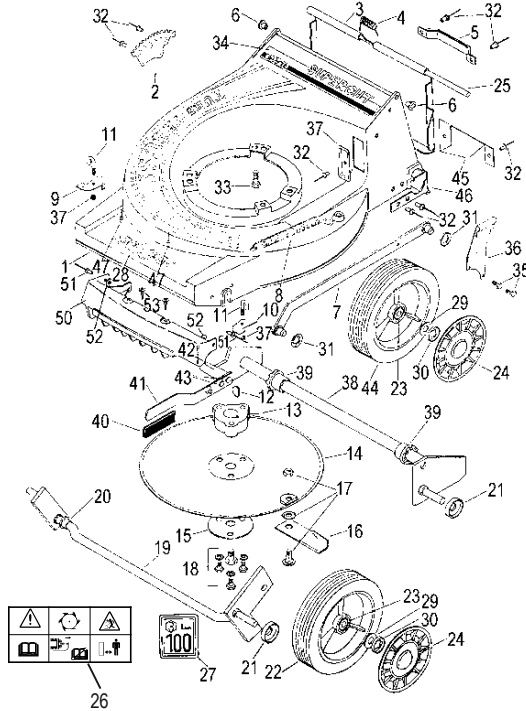
Use only an approved battery charger supplied by the mower dealer which has been designed for use with this battery.

2. Connect the battery charger to a suitable mains power outlet and switch on.
3. When charging is complete after 10 to 16 hours, switch off the power outlet and disconnect the battery charger from the power outlet.
4. Disconnect the battery charger leads from the battery and refit the battery to the mower.

6.4 Care and handling

1. Do not disassemble the battery, as it's strong acid electrolyte may burn your skin or clothes.
2. Do not short out the battery terminals, as this may burn the terminals and cause damage to the equipment.
3. Do not incinerate the battery to dispose of them. The battery may explode if exposed to fire.
4. Clean the battery with a dry cloth only, never use oil, petrol, thinners or any other petrochemical.
5. Handle the battery with care. If the battery is dropped and the case is damaged the acid electrolyte (sulphuric acid) may leak out. Wipe up leaking acid with a cloth and neutralise acid with an alkaline solution.
6. In the event of electrolyte coming into contact with the skin, immediately flush with water and seek medical attention.

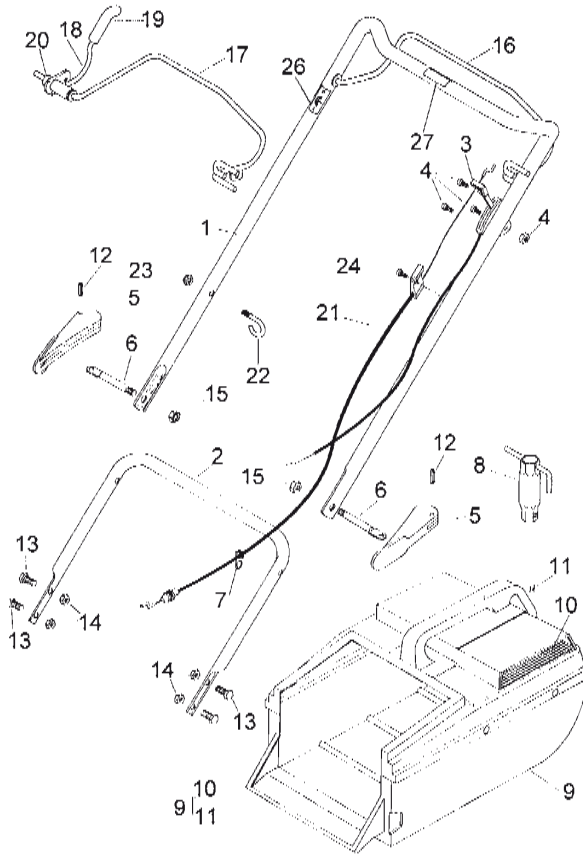
1. Connect the battery charger to the battery with the red lead (positive) to the positive (+) terminal of the battery and the black (negative) lead to the negative (-) terminal of the battery.



7.1 Series 85000, 86000 and 96000 base spare parts

Item	Part No.	Description	
1	A03300	Base	1
2	A03510	Height adjustment rack	1
3	A03456	Rear Flap	1
4	A03325	Spring- rear flap	1
5	A03455	Handle- rear flap	1
6	A03126	Pivot bush	2
7	A10148	Conbar assembly	1
8	A02591	Conbar spring	1
9	A03515	Axle bracket- RH.	1
10	A03514	Axle bracket- LH.	1
11	A03516	Clamp bolt	2
12	A02051	Woodruff key	1
13	A01486	Disc boss	1
14	A00293	Disc assembly	1
15	A01716	Backplate	1
16	A03830	Blade- standard	4
17	A03930	Blade- Mulch N Catch	1
18	A00673	Blade bolt kit	2
19	A10154	Disc bolt kit	1
20	A10140	Front axle assembly- professional	1
21	A10527	Front axle assembly- professional	1
22	A03450	Front axle bush	2
23	A03459	Wheel seal	4
24	A03320	Front wheel assembly	2
25	A03353	Wheel bearing	8
26	A03414	Wheel cap	4
27	A03306	Pivot rod	1
28	A03743	Decal- Warning	1

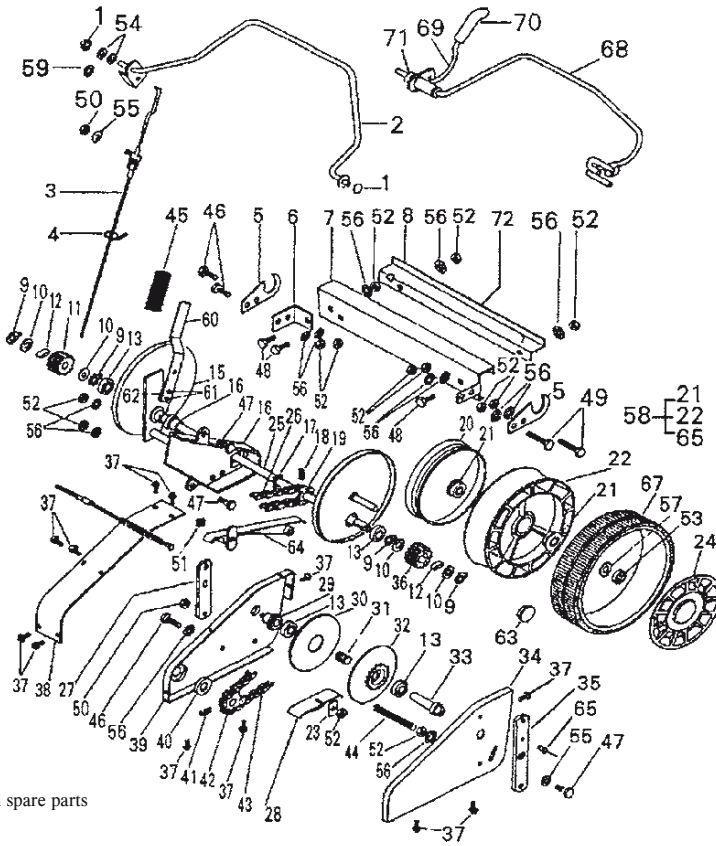
Item	Part No.	Description	
27	A03492	Decal- sound level	1
28	A03409	Nameplate	1
29	373109	Tension washer	4
30	A03092	Ratchet plate	4
31	S2501116	Ratchet plate	2
32	290112	Poprivet- 73 AS 6-4 blind	10
33	A02127	Taprite- 3/8" - 16 HWH x 1" Ind.hex.W/H Duo.	3
34	*	Decal- Model	1
35	A04052	Self tapping screw- 10 x 5/8" pan ph/head2	1
36	A03549	Cable clip	1
37	A03323	Plug chain slot- model 50	1
38	A010141	Rear axle assembly- model 50	1
39	A03313	Rear axle bush- model 50	2
40	A03250	Plastic handle	1
41	A10284	Height adj. lever assembly	1
42	A03336	Packing plate	1
43	A02066	Rivet	2
44	A03319	Rear wheel assembly	2
45	A03303	Grass deflector	1
46	A10381	Rear stoneguard- Mod. 50	1
47	A03604	Rear stoneguard- Mod. 60	1
48	A02071	Rivet- 73 SS 4-3	2
49	A02235	Nyloc nut- 1/4" unc.	2
50	A03472	Decal- turbothrust	1
51	A03927	Nose comb	1
52	A04108	Rivet	2
53	A04099	Washer- 3/16" x 3/4"	2
	A04111	Screw	2



7.2 Handle bar spare parts

Item	Part No.	Description
1	A03802	Handle bar-
2	A03317	Lower handle bar
3	A03583	Throttle cable- Mod. 50
4	A03326	Throttle cable- Mod. 60
5	A10016	Throttle control assembly
6	A02849	Lock handle
7	A03307	Draw bolt
8	A03500	Cable clip
9	A03518	Plug spanner
10	A10144	Grass catcher assembly
11	A03324	Mesh
12	A03447	Handle
13	A02260	Roll pin- 1/4" x 3/4"
14	A02028	Setscrew- 5/16" x 5/8" unc. W/Face.

Item	Part No.	Description
15	A04045	Flanged nut- 5/16" unc.
16	A02223	Nyloc nut- 5/16" unc.
17	A10523	Bale assembly CE
18	A10524	Bale assembly CE
19	A10503	Handle assembly CE
20	A03739	Handle grip CE
21	A02521	Spacer CE
22	A03722	Brake cable- mod. 50,60
23	A03733	Rope stop CE
24	A02235	Nyloc nut- 1/4" unc.
25	A04083	Screw - 10 x 19mm Pan Head
26		
27	A03622	Decal

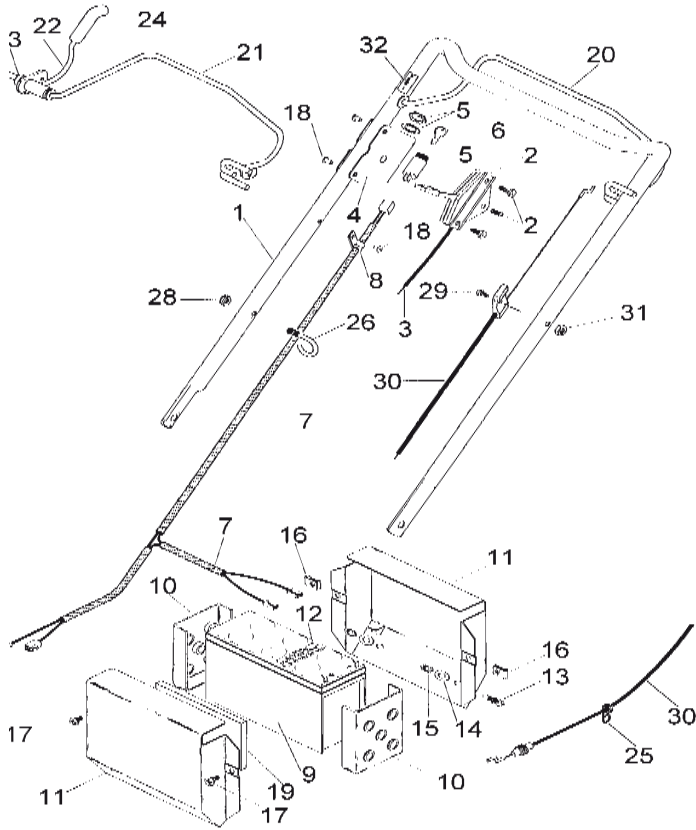


7.3 Self propelled spare parts

Item	Part No.	Description
1	A02102	Washer- Avdel 7601/0010
2	A10177	Clutch lever
3	A03365	Clutch cable
4	A07822	Cable tie
5	A03314	Rear axle support
6	A03391	Stoneguard mount bracket
7	A03383	Rear stoneguard- 96012
8	A10381	Rear stoneguard- 86012, 86040
9	A03393	Drive shaft cover
10	A02090	Circlip- 1400/12
11	A03373	Pawl retainer washer
12	A03371	Drive pinion- RH
13	A03372	Pawl
14	A03361	Bearing- 6001 DDU
15	A07675	Nylon bush
16	A10172	Rear axle assembly
17	A03366	Rear chain guard
18	A03394	Felt seal
19	A02069	Roll pin- 1/8" x 3/4"
20	A03368	Rear drive shaft sprocket
21	A03382	Dust seal
22	A03353	Wheel bearing
23	A03352	Geared wheel hub
24	A03441	Washer plate

Item	Part No.	Description
24	A03414	Wheel cap
25	A03369	Drive shaft
26	A03377	Rear drive chain
27	A03364	Cable support bracket- RH
28	A03367	Chain tensioner
29	A03360	Clutch engagement bush
30	A10171	Driver clutch plate
31	A03358	Clutch spring
32	A10170	Driven clutch plate
33	A03359	Clutch support shaft
34	A03350	Drive chain housing- LH
35	A03363	Cable support bracket- LH
36	A03370	Drive pinion- LH
37	A04052	Self tapping screw- 10 x 5/8" pan ph/head
38	A03552	Chain guard cover plate
39	A03551	Drive chain housing- RH
40	A03386	Felt seal
41	A02070	Roll pin- 3/16" x 7/8"
42	A03354	Sprocket PTO.
43	A03376	Front drive chain
44	A03375	Pivot rod
45	A03250	Handle
46	A02146	Setscrew- 1/4" x 3/4" unc.hex
47	A02214	Setscrew- 1/4" x 5/8" unc.hex

Item	Part No.	Description
48	A02078	Setscrew- 1/4" x 1/2" unc.hex
49	A02081	Setscrew- 1/4" x 1-3/4" unc.hex
50	A02235	Nyloc nut- 1/4" unc.
51	S2491162	Nut- 1/4" unc.square pressed
52	A02001	Nut- 1/4" unc.hex
53	A03092	Washer- Avdel 7301/0016
54	A02030	Washer- 5/16" x 5/8" x 18g.flat
55	A02209	Washer- 1/4" x 5/8" x 18g.flat
56	A02044	Washer- 1/4" internal shakeproof
57	S373109	Tension washer
58	A10146	Wheel assembly
59	S2501108	Washer- Avdel 7301/0008
60	A10284	Height adjustment lever assembly
61	A02118	Rivet- 3/4" x 1/4" flat head
62	A03336	Plate
63	S3521047	Wheel plug
64	A03470	Chain guide
65	290112	Rivet- 73 AS 6-4 blind
66	A03390	Clutch plate lining
67	A03384	Tyre
68	A10524	Bale assembly CE
69	A10503	Handle assembly CE
70	A03739	Handle grip CE
71	A02521	Spacer CE
72	A03604	Rear extension- Mod. 60



7.4 Powerstart spare parts - Series 85000, 86000

Item	Part No.	Description
1	A03802	Upper handle bars-Mod 60
2	A10016	Throttle control assembly
3	A03581	Throttle cable- Quantum
4	A03557	Key start housing
5	A03560	Key start switch
6	A07679	Ignition key
7	A03741	Wiring loom- Mod 60 CE
8	A03565	Cable clamp
9	A03559	Battery
10	A03558	Battery block
11	A03556	Battery support box
12	A03563	Decal- caution
13	A02083	Setscrew- 5/16" x 3/4" unc.hex.
14	A02012	Washer- 5/16" x 7/8" x 18g.flat
15	A02223	Nyloc nut- 5/16" unc.
16	A02002	Speed nut- 3/16" bsw.
17	A02163	Screw- 3/16" x 1/2" mush/head
18	A04060	Rivet- 73 AS 5-2

Item	Part No.	Description
19	A03610	Foam block
20		
21	A10524	Bale assembly- Mod 60 CE
22	A10503	Handle assembly Mod.60- CE
23	A02521	Spacer
24	A03739	Handle grip- CE
25	A03732	Cable clip- CE
26	A03733	Rope stop- CE
27		
28	A02235	Nyloc nut- 1/4" unc.
29	A04083	Screw- 10 x 3/4 pan head
30		
30	A03722	Brake cable- mod. 60
31	A03756	Switch Plate

	<p>GB Read the instructions carefully D Lesen sie die hinweise sorgfältig F Lisen les instructions attentivement SP Lea las instrucciones con mucho cuidado NL Lees de gebruiksaanwijzing zorgvuldig I Leggere attentamente le istruzioni</p>	
	<p>GB Caution D Achtung F Attention SP Atencion NL Voorzichtig I Attenzione!</p>	

	<p>GB Keep bystanders away D Andere fernhalten F Restez a l'ecart du public SP Mantenga a los espectadores los jos de usted NL Houd toeschouwer op afstand I Tenere lontano le persone circostanti</p>
--	---

	<p>GB Stop the engine and disconnect the spark plug lead before checking, cleaning or working on the mower D Den motor abstellen und das Zundkerzenkabel von der Zundkerze abziehen vor arbeiten am Maher F Arretez le moteur et debranchez la bougie avant de verifier, nettoyer ou reparer la tondeuse SP Pare el motor y desconecte el cable de la buj a antes de comprobar, limpiar o examinar la cortadora NL Stop de motor en trek de bougieleabel los voor het inspecteren, schoonmaken of reparan van de maaimachine I Fermare il motore e staccare il cavetto dalla candela prima di controllare, pulire o aggiustare la tosaerba</p>
--	---

	<p>GB Powerstart Turn the key to the (I) position to engage the electric starter, release the key when the engine starts and allow to return to (O) position</p> <p>D Powerstart Kontrollen Zundschlüssel auf Stelle an (I) drehen, um den Anlasser einzuschalten. Beim Anspringen des Motors den Schluß lassen</p> <p>F Contrôles de démarrage électrique Tournez la clé sur la position (I) pour engager le démarrage électrique. Relâchez la clé quand le moteur démarre et laissez retourner à la position (O)</p> <p>SP Powerstart Control Mover la llave hacia (I) las posicion para atracer el arranque electrico. Dispara la llave cuando el motor empieza a dejar a regresar al (O) posicion apagdo</p> <p>NL Regulator bij Powerstart machines Draai de start sleutel in positie no. (I) em de elektrische starter in te schaken. Laat de start sleutel los als de motor loopt en laat hem in de (O) teruggaan</p> <p>I Controlli messa in moto Girare la chiave posizione (I) per accendere il motorino elettrico d'avviamento. Lasciare libera la chiave quando il motore e in moto, in modo che ritorni in posizione (O)</p>
--	---



- GB Self propelled drive control**
 Moved towards (I) turns the clutch on and drives the mower forward.
 Moved towards (O) turns the clutch off and stops the mower driving
- D Selbetantriebbetätigung**
 Einstellung auf (I) aktiviert die Kupplung und den Motor vorwärts.
 Einstellung auf (O) schaltet die kupplung aus und bringt den Mäher zum Stehen
- F Contrôle d'autotraction**
 Déplacé vers (I) enclenche l'embrayage et fait avancer la tondeuse.
 Déplacé vers (O) décegage l'embrayage et empêche la tondeuse d'avancer
- SP Autopropulsado marcas del control**
 Movido hacia (I) mueve el desembragador y pone a marcha el cortacesped.
 Movido hacia el (O) apaga el desembragador y para el cortacesped
- NL Regulatoru bij zelfverplaatsende machines**
 Als men de knop op (I) zet, is de koppeling ingeschakeld en de machine rijdt vooruit. Als de knop (O) zet, schakelt men de koppeling uit en de machine stopt.
- I Comando trazione removente**
 Se mosso verso I (innestato) innesta la frizione e muove in avanti la faiciatrice tosaerba. Se mosso verso O (disinnestato) disinnesta la frizione e ferma la trazione della falciatrice tosaerba



- GB Operator presense control**
 Handle moved towards the handle bars, engine and blades are free to rotate. Handle released, engine and blades stop rotating
- D Bedieneranwesenheitkontrolle**
 Griff in Richtung Griffbügel vorgestzt, motor und messer rotieren frei, Griff gelöst, Motor und messer stoppen
- F Contrôle par opérateur**
 Poignée avancée vers les mancherons, moteur et lames peuvent tourner.
 Poignée relâchée, moteur arrêtent de tourner
- SP Operador de las presencias controles**
 Mango movido hacia manillas, motor y cuchillas estanlibres de hacer vueltas. Mango disparado, motor y cuchillas paran de hacer vueltas
- NL Dodenmanskoop regulatorknop die aangeeft dat de operateur aanwezig is**
 De gasbedieningshendel geplaatst in de richting van de hand grepen, de machine loopt en de messen draaien vrij. Gasbedieningshendel is afgezet, de machine stopt, en de messen draaien neit meer
- I Comando presenza operatore**
 (I) Manopola mossa verso barre manubrio, motore e lame in posizione libere e rotanti. (O) manopola disimpegnata. Motore e lame fermi



- GB Throttle control**
 Marked for off, slow and fast positions
- D Gasbedienung**
 Markierung aus, langsam sch schnell
- F Contrôle des gaz**
 Marque pour les positions arrêt, ralenti accéléré et
- SP Control del acelerador**
 Marcado por apagado, despacio, rapido posiciones
- NL Gasknop regulatoru**
 Voorzien van markteken uit, langzaam, snel tekening
- I Comande**
 Segno di poizione O staccato lento veloce

For your record:

Para su referencia:

GB

Dealer
Date of Purchase
Model
Serial No.

SP

Vendedor
Fecha de compra
Modelo
Serie nº

Für Ihre Aufzeichnung:

Voor uw informatie:

D

Händler
Lieferdatum
Modell Nr
Seriennummer

NL

Handelaar
Aankoopdatum
Type
Seriennummer

Pour votre information personnelle:

Dati da registrare:

F

Fabricant
Date d'achat
Modèle
N° de série

I

Distributore
Data d'acquisto
Modello
N.o Serie

These machines are covered by one or more of the following Registered Designs and or Patents;
Registered Designs: Australia. 131504, 134850
Patents: Australia. 713852, 745750, New Zealand. 330293, US. 6085508, UK. GR2325139

ROVER

Mowers Limited

ACN 000 257 303

Head Office and Factory: Rover Mowers Limited
155 Fison Avenue West, Eagle Farm, 4009
Brisbane, Queensland, Australia.



ISO 9001 Lic 10168
Standards Australia



Recycled paper



GWAIL



04003632 - CE
Revision I.

PRINTED IN AUSTRALIA

© Copyright 1/2003